

MX3017/HT HIGH TEMPERATURE EXPLOSION RELIEF VALVE

Proven in service for long life and efficiency

Integral safety deflection cover

1.25 PSI opening pressure standard, others available

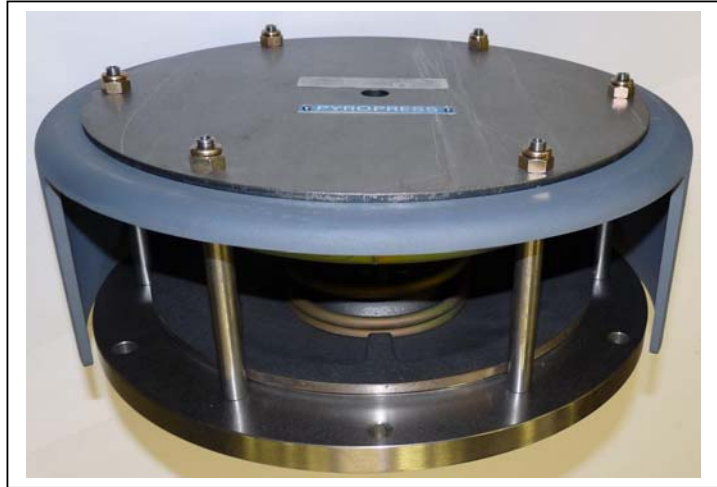
Fast acting

Robust construction

Integral indicator

Custom design abilities

Inconel spring loaded stemless relief valve



INTRODUCTION

To avoid a dangerous pressure rise and resultant damage in the event of an explosion occurring in exhausts and silencers it is necessary to provide pressure relief valves of an ample area.

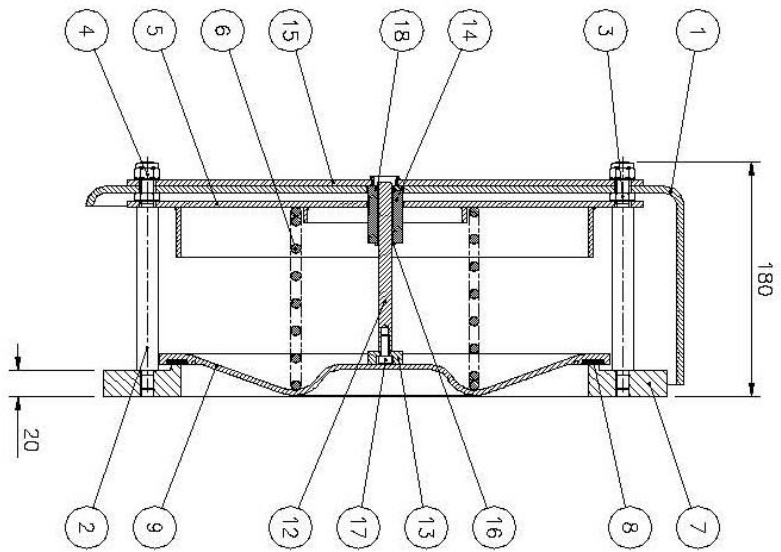
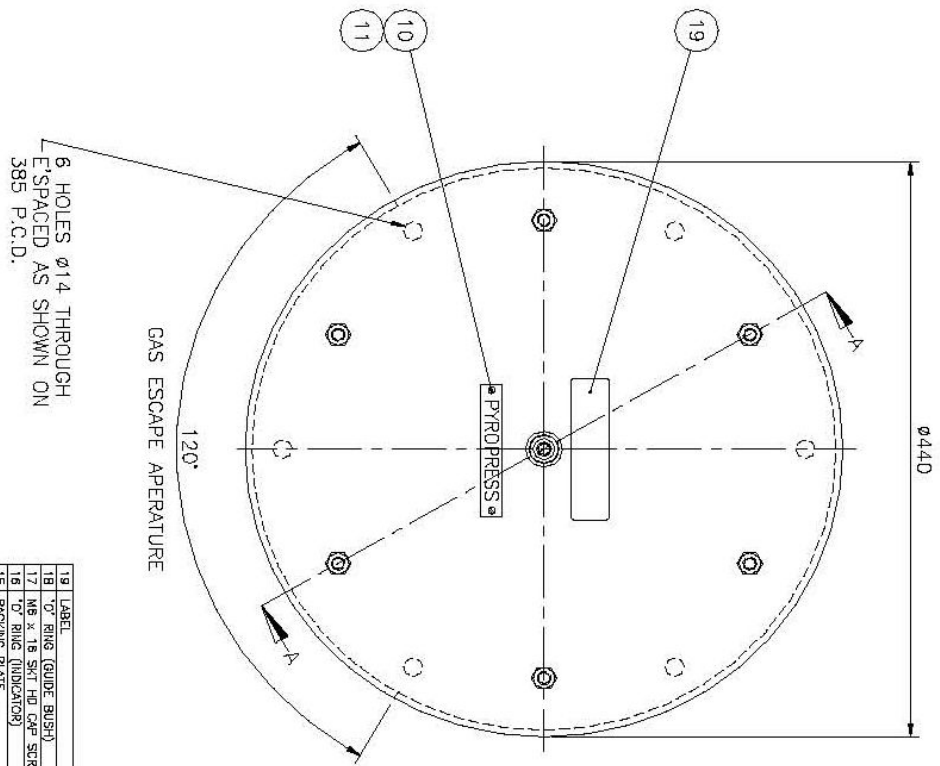
This valve is suitable for high temperature applications and has been developed from our crankcase explosion relief valves which have been manufacturer for over 50 years.

The design incorporates a quick acting, spring loaded, stemless relief valve, which ensures frictionless valves operation and eliminates any possible danger of sticking.

These valves have a long established track record in service and are constructed to withstand temperatures of 540°C

IT MUST BE EMPHASIZED THAT THE DEGREE OF PROTECTION PROVIDED BY SUCH VALVES IN EXHAUST AND SILENCER APPLICATIONS OF A GIVEN VOLUME DEPEND ON THE NUMBER AND SIZE OF VALVES FITTED AND THEIR RELATIVE LOCATION. TO OBTAIN THE OPTIMUM PROTECTION FOR YOUR SYSTEM PLEASE PROVIDE A DRAWING OR SKETCH TO OUR SALES ENGINEERS. WE WILL ENSURE THAT THE REQUIRED EFFECTIVE RELIEF AREA FOR THE VOLUME OF YOUR SYSTEM IS CORRECTLY CALCULATED.

DRAWING



REF	DESCRIPTION	MATERIAL	QTY
19	6 HOLES $\phi 14$ THROUGH ESPACED AS SHOWN ON 385 P.C.D.	NET/POLYESTEE	1
18	1/2" RING (GUIDE BUSH)	NIPPLE	1
17	M6 x 16 SHT HD CAP SCREW	ST. STL.	1
16	1/2" RING (INDICATOR)	NIPPLE	1
15	BRASS PLATE	STEEL	1
14	GUIDE BUSH	ALUMINIUM	1
13	INDICATOR STOP	ALUMINIUM	1
12	INDICATOR	ALUMINIUM	1
11	M3 x 8 PAN HEAD SCREW	BRASS	2
10	VALVE	ALUMINIUM	1
9	SEALING RING	CAST IRON	1
8	VALVE CARRIER	MOVING 34	1
7	SPRING	CAST IRON	1
6	MID KERF NUT	STEEL	1
5	VALVE RETAINING PLATE	IRON/CEL	1
4	M10 HALF NUT	STEEL	8
3	VALVE GUIDE	MILD STEEL	8
2	VALVE COVER	ALUMINIUM	1
1	VALVE COUPLER	WATERVAL	1

The Pyropress Engineering Company Ltd
 Bell Close, Newnham Industrial Estate, Plympton, Plymouth. PL7 4JH England
 Tel : +44 (0)1752 339866 Fax : +44 (0)1752 336681
 E-mail : sales@pyropress.com Website : www.pyropress.com