

DIFFERENTIAL PRESSURE LOW PRESSURE AND VACUUM

ANC4B 316 stainless steel or black anodised aluminium switchcase to IP66 standards.

Calibrated adjustment scale.

Settings from 0.25 mBar to 10.5 Bar.

Single or dual microswitch option.

Wetted parts NACE MR-01-75 compliant.

ATEX Flameproof version

CE Ⓜ II2GD Exd IIB + H₂

T6 Ta -60 to +75°C, T5 Ta +90°C

ExtD A21 IP66

T85°C Ta -50 to +75°C, T100°C Ta +90°C

ATEX Intrinsically safe version

CE Ⓜ II1G Exia IIC T6 Ta -50 to +78°C

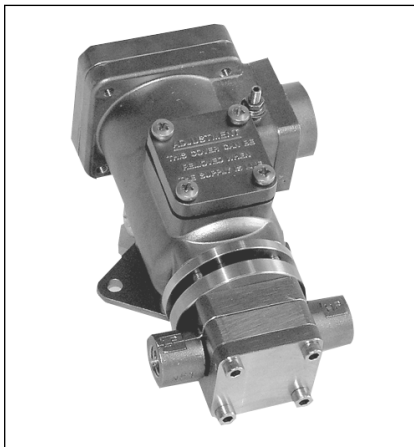
T5 Ta +93°C, T4 Ta +128°C

II1D ExiaD 20 IP66 T200°C

Ta -50 to +70°C

(For resistor certification refer to page 45)

DPF266 & DPF296, PF266 & VF266 ATEX Exd, Exia AND INDUSTRIAL DIFFERENTIAL PRESSURE, LOW PRESSURE AND VACUUM SWITCH



This range has been used to monitor filter blockage and air movement through ducting worldwide and has been specified extensively for offshore applications. Incorporating a diaphragm and two sealing Belloframs the switch offers reliable switching action when a differential pressure is required to be sensed. They can, by venting either the HP or LP connection, be used as a **low pressure** or **vacuum** switch. The DPF296 can be offered for high equalised static pressures up to 140 Bar, ranges are detailed below. Resistors can be incorporated for 'end of line' and short circuit monitoring. For specification and introduction to the Titan switch range refer to pages 44 & 45.

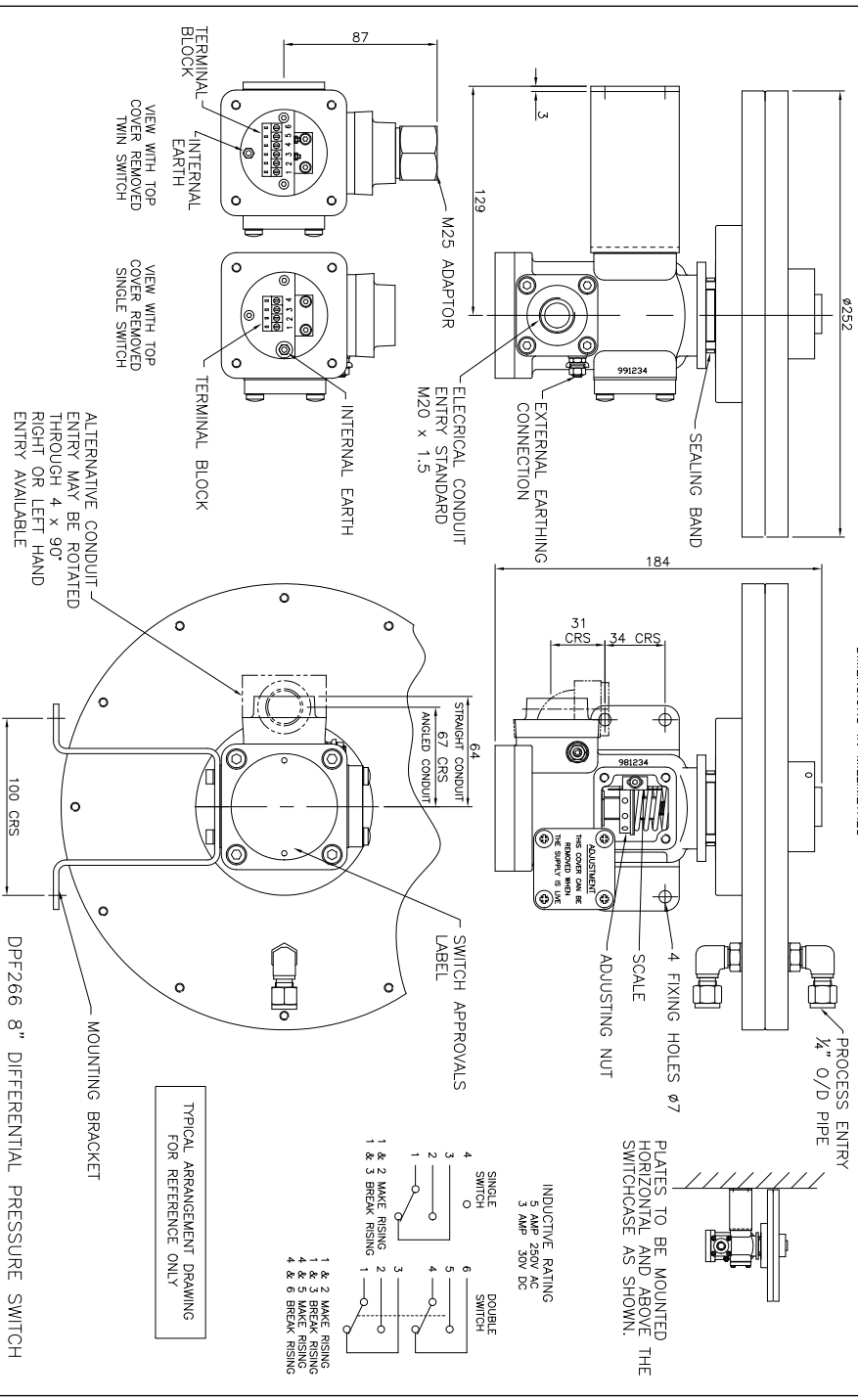
| ADJUSTMENT RANGE (BAR D) | MAXIMUM WORKING PRESSURE EQUALISED (BAR D) | MAXIMUM WORKING PRESSURE ONE SIDED (BAR G) | DEADBAND FIXED (mBAR G) | SPRING CODE | DIAPHRAGM CODE |
|--------------------------|--|--|-------------------------|-------------|----------------|
| 1.75 - 8.5 | 28 | 14 | 100 - 400 | W | 01 |
| 0.5 - 5.5 | 28 | 14 | 70 - 380 | P | 01 |
| 0.3 - 1.1 | 28 | 14 | 40 - 90 | R | 01 |
| 125 - 725mbar | 10 | 7 | 10 - 75 | G | 02 |
| 50 - 250mBar | 10 | 7 | 5.0 - 27.5 | G | 03 |
| 25 - 75mBar | 10 | 7 | 4.2 - 7.5 | T | 03 |
| 15 - 55mBar | * 0.5 | 0.35 | 5.0 - 7.5 | B | 08 |
| 4 - 16mBar | * 0.5 | 0.35 | 0.75 - 2.0 | R | 08 |
| 1 - 5mBar | * 0.5 | 0.35 | 0.4 - 0.75 | T | 08 |
| 0.4 - 4.4mBar | Viton Diaphragm / 0.5 | 0.35 | 0.05 - 0.25 | T | 48 |
| 0.25 - 4.25mBar | Nitrile Diaphragm / 0.5 | 0.35 | 0.05 - 0.25 | T | 28 |

* Max. equalised pressure on these ranges can be specified up to 3.5 Bar

ADJUSTMENT RANGES - DPF296

| | | | | | |
|------------|-----|----|-------|---|-----|
| 1.0 - 5.0 | 140 | 28 | <900 | G | F18 |
| 3.5 - 10.5 | 140 | 28 | <1500 | W | F27 |

DIMENSIONS IN MILLIMETRES



TINA p08

PART NUMBER BREAKDOWN - DPF266

| | | | |
|--|--|---|--|
| B = ATEX Exd CERTIFIED O = ATEX Exia CERTIFIED A = INDUSTRIAL | DIAPHRAGM MATERIAL A = NITRILE B = VITON C = REINFORCED NITRILE D = REINFORCED VITON <small>(C & D FOR CODE 08 WITH 3.5 BAR EQUALISED)</small> | A = BRACKET FOR 01 DIAPHRAGM CODE E = 2" PIPE BRCKT FOR 01 DIA CODE G = BRACKET FOR 02 & 03 DIA CODE P = 2" PIPE BRCKT FOR 02 & 03 DIA CODE W = BRACKET FOR 08 DIA CODE L = 2" PIPE BRCKT FOR 08 DIA CODE M = DP286 REPLACEMENT FOR 01 DIA CODE | |
| A = ALUMINIUM CASE S = ST. STEEL CASE | SPRING CODE (SEE RANGE SHEET) | | |
| DPF266 DIFF. PRESS. PF266 PRESSURE VF266 VACUUM | | | |
| DPF266S1B / BRF01SB2 / AA | | | ELECTRICAL ENTRY A = M20 STRAIGHT B = M20 ANGLED C = 1/2" NPT STR. F = M25 STRAIGHT |
| 1 = 1 x SPDT SWITCH 2 = 2 x SPDT SWITCH DUAL SWITCHES ARE MECHANICALLY LINKED TO PROVIDE DPDT SWITCHING ACTION | DIAPHRAGM CODE F01SB = 01 DIAPHRAGM CODE F02SB = 02 DIAPHRAGM CODE F03SB = 03 DIAPHRAGM CODE F08SB = 08 DIAPHRAGM CODE SEE RANGE SHEET | PROCESS ENTRIES - DIAPHRAGM CODES 01, 02 & 03 1 = 1/4" BSP.P (DP) 2 = 1/4" NPT (DP) 3 = 1/4" BSP.P (P) 4 = 1/4" NPT (P) 5 = 1/4" BSP.P (V) 6 = 1/4" NPT (V) DIAPHRAGM CODE 08 1 = DPF ELBOW COMPRESSION FITTING 1/4" OD PIPE. 4 = PF ELBOW & VENT 5 = VF ELBOW & VENT. 9 = OTHERS VIA ADAPTORES | |

SPECIFICATION

Temperature limitations :
 Diaphragm code: 01 as page 45
 Diaphragm code: 02, 03 & 08
 Viton : -10 to + 150°C
 Nitrile: -25 to +95°C
 Alternatives are available.

Wetted parts : Diaphragm codes 01, 02 & 03 - ANC4B 316 St. steel. Code 08 - 316 St. steel
Process connections : Diaphragm codes 01, 02 & 03 - 1/4" BSP.P or NPT female. Diaphragm code 08SB - 1/4" OD compression fittings. Other sizes available.

PART NUMBER BREAKDOWN - DPF296

| | | |
|--|--|---|
| S = ST. STEEL CASE | DIAPHRAGM MATERIAL B = VITON | A = STANDARD BRACKET E = 2" PIPE BRACKET |
| | | |
| DPF296S1B / BWF27 / H2DAA | | |
| 1 = 1 x SPDT SWITCH 2 = 2 x SPDT SWITCH DUAL SWITCHES ARE MECHANICALLY LINKED TO PROVIDE DPDT SWITCHING ACTION | SPRING CODE (SEE RANGE SHEET) | DIAPHRAGM CODE (SEE RANGE SHEET) |
| | B = ATEX Exd CERTIFIED O = ATEX Exia CERTIFIED A = INDUSTRIAL | PROCESS CONNECTIONS 1 = 1/4" BSP.P FEMALE 2 = 1/4" NPT FEMALE |
| | | ELECTRICAL ENTRY A = M20 STRAIGHT B = M20 ANGLED C = 1/2" NPT STR. |

Detailed drawings :
 DPF266, diaphragm codes 01, 02 & 03 - page 56
 DPF266, diaphragm code 08 - page 57
 DPF296 - page 57

TITAN (XPB) ATEX Exd, Exia INDUSTRIAL SWITCHES

INTRODUCTION

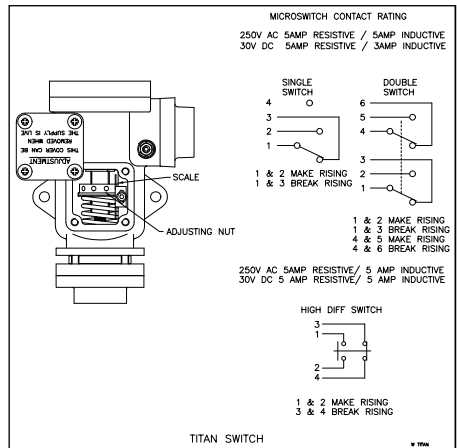
The Titan **pressure, differential pressure, temperature, level and flow** switches are designed for use in environments where explosive gases and dust can be present (e.g. Gas fields, Oil rigs and Chemical plants etc.) and have been ATEX certified for CAT 1 Exia IIC T6, T5 & T4 and CAT 2 Exd IIB +H² T6 & T5.

These switches are manufactured from a high quality casting which offers robust construction and protection to IP66 for use within heavily polluted industrial and marine environments. A special feature of the instruments is the separation of the flameproof and adjustment compartments allowing for safe on-site adjustment of the set point with power on and the switch in operation.

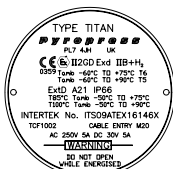
The TITAN Exd certified switches must be installed in accordance with BS EN 60017-14. The certification allows for mounting against a wall or bulkhead with the minimum flamepath distances specified not being applicable.

CALIBRATION

The design features a simple form of calibration adjustment against a scale plate. This allows users to either order units with a specific setting, or stock a mid range setting and then adjust to suit the application. This can be set safely with the switch supply live. On removal of the adjustment cover the adjusting ring can be turned with a small Tommy bar or Allen key. The setting is read from the centre of the red pointer ring against the calibrated scale plate. Rotation to the left will increase the set point and to the right decrease the set point. The adjustment mechanism incorporates a friction device to ensure set point will not change under vibration conditions.



When we are requested to supply switches set at a specific point we can guarantee setting accuracy of less than 2%.



TITAN Exd



TITAN Exia (IS)



TITAN Exia (IS)
WITH RESISTORS



The Pyropress Engineering Company Ltd.
Bell Close, Newnham Industrial Estate,
Plymouth, Plymouth. Devon PL7 4JH England.
Tel: +44 (0)1752 339866
Fax: +44 (0)1752 336681
E-mail: sales@pyropress.com
Website: www.pyropress.com
Revision: E 04/10

TECHNICAL SPECIFICATION

Switchcase and covers : ANC4B 316 stainless steel or black anodised aluminium.

Microswitch : 1 x SPCO/SPDT or 2 x SPCO/SPDT gold plated silver contacts. Dual switches are mechanically linked to provide DPDT switching action, reset of switches could be up to 3% apart. Dual microswitches may increase deadband by a factor of two.

Microswitch rating

5 Amps @ 250 VAC resistive and inductive.

5 Amps @ 30VDC resistive, 3 Amps @ 30 VDC inductive.

Electrical connections : Terminals suitable for cable 0.5 - 2.5 mm².
(Max 1.5mm² for dual microswitch version)

Electrical Conduit Entry : M20 x 1.5 straight or angled entry. ½” NPT via adaptors

Environmental Protection : Switches have been tested and certified by an external test house to IP66 in accordance with BS EN 60529 : 1992.

Vibration and shock parameters : Switches were subjected to Ministry of Defence Type Approval System Test Vibration DGS 350 Paras 0602 & 0603. Shock – BR3021.

Temperature Limitations : Pressure, Vacuum and Differential Pressure

Ambient : -50 to +85°C (standard) -60°C to 125°C (special).

Process : Diaphragm actuated* -50 to +90°C (Nitrile) or -20 to +150°C (Viton).
Piston actuated -40 to 120°C (Nitrile) or -20 to +150°C (Viton).

Storage* : -60 to +85°C.

* Unless otherwise stated

(for temperature, level and flow switches please refer to specific pages).

Certification : Switches are ATEX certified for gas and dust hazardous areas.

Exd Flameproof (with or without resistors)

CE Ex II2GD Exd IIB + H₂ T6 Ta -60 to +75°C, T5 Ta +90°C

ExtD A21 IP66 T85°C Ta -50 to +75°C, T100°C Ta +90°C

Special conditions for safe use. 1) No modifications must be made to the flamepaths of the unit without consultation of the drawings listed on the certificate. 2) If temperature of the cable entry could exceed 70°C, suitably rated cable must be selected based on the Tmax shown above.

Exia Intrinsically Safe (without resistors)

CE Ex II1G Exia IIC T6 Ta -50 to +78°C, T5 Ta +93°C, T4 Ta +128°C

II1D ExiaD 20 IP66 T200°C Ta -50 to +70°C

Exia Intrinsically Safe (with resistors)

CE Ex II1G Exia IIC T5 Ta -50 to +72°C, T4 Ta +122°C

II1D ExiaD 20 IP66 T200°C Ta -50 to +70°C

Special conditions for safe use. (Category 1, Zone 0) Aluminium may only be used when the ignition hazardous assessment shows that there is not risk of ignition from incandive, impact or abrasion sparks.

Accuracy : +/-1% at 20°C