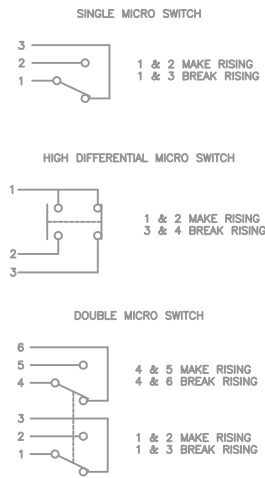


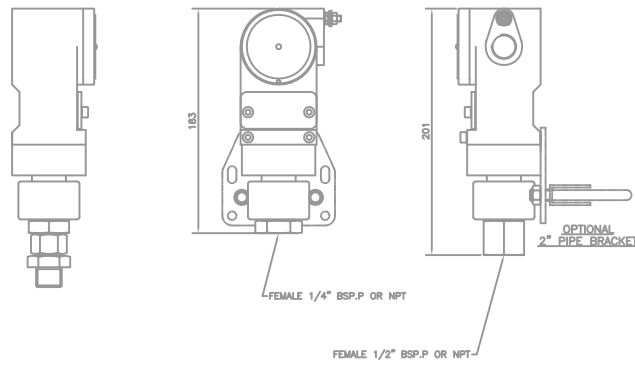
PART VIEW OF TERMINAL CHAMBER WITH COVER REMOVED

DOUBLE MICROSWITCH SINGLE MICROSWITCH

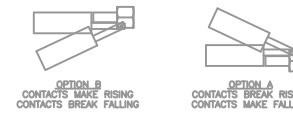
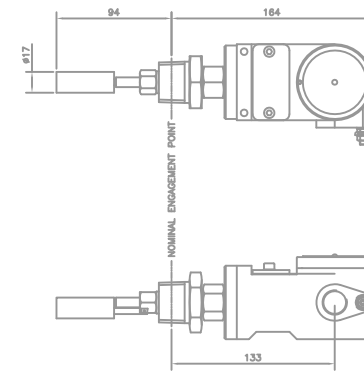


MICROSWITCH CONTACT RATING

LOAD	INDUCTIVE LOAD
5 AMP 250V AC	2 AMP 250V AC
5 AMP 30V DC	3 AMP 30V DC

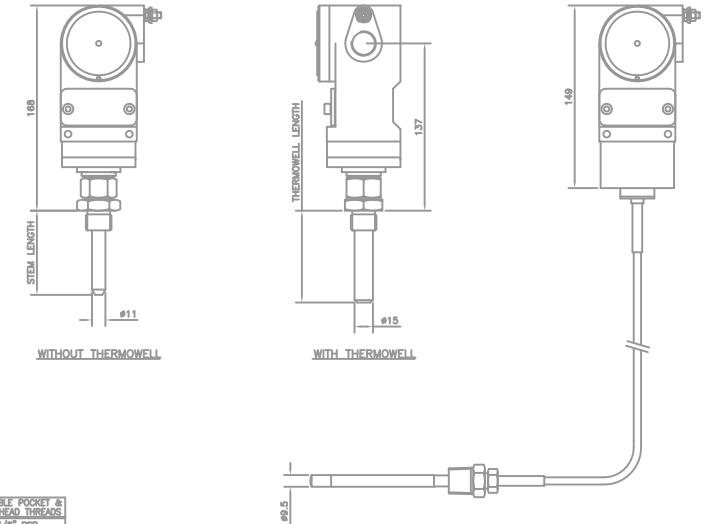


ATEX & IECEx CERTIFIED HIGH PRESSURE PISTON



ATEX & IECEx CERTIFIED HORIZONTAL REED LEVEL

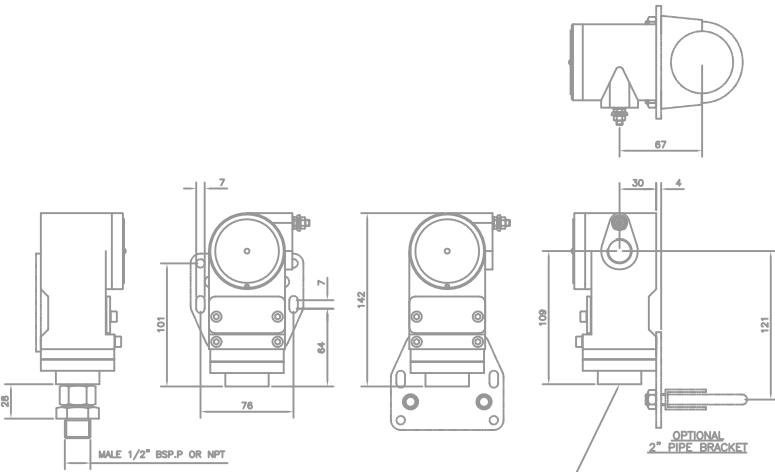
ATEX, IECEx & AEx CERTIFIED RIGID STEM TEMPERATURE



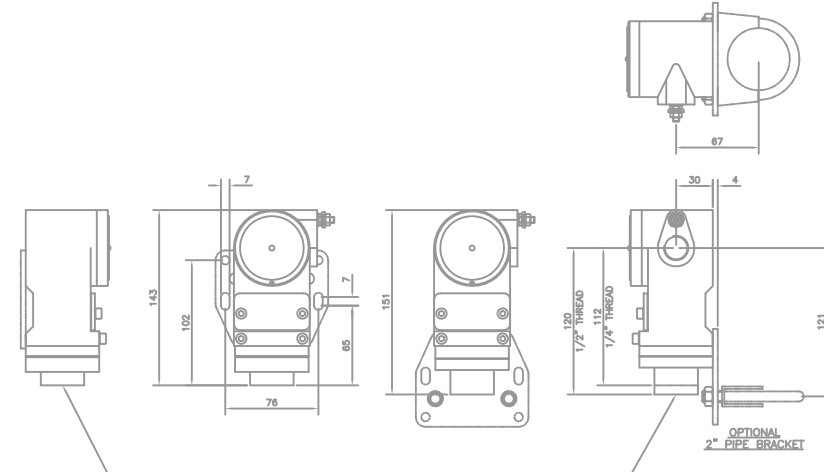
AVAILABLE "POCKET" & STEM HEAD THREADS

3/8" BSP
1/2" BSP
1/2" NPT
3/4" NPT
1" NPT

ATEX, IECEx & AEx CERTIFIED CAPILLARY TEMPERATURE

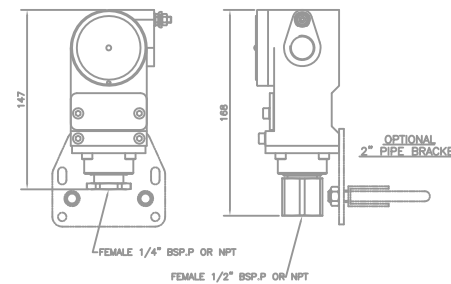


ATEX & IECEx CERTIFIED MEDIUM PRESSURE RUBBER DIAPHRAGM

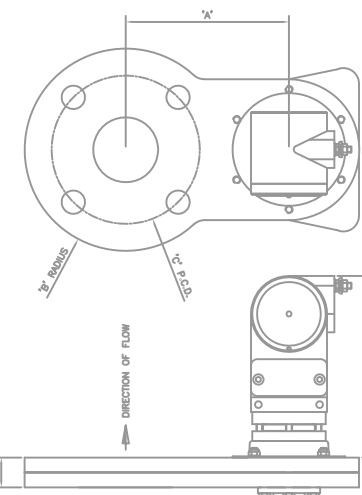
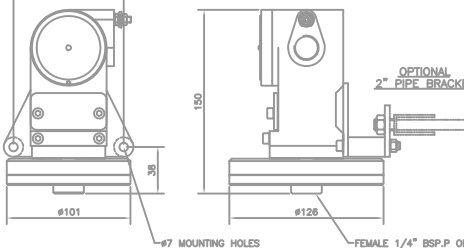


AEx CERTIFIED MEDIUM PRESSURE RUBBER DIAPHRAGM

ATEX & IECEx CERTIFIED HIGH PRESSURE METAL DIAPHRAGM

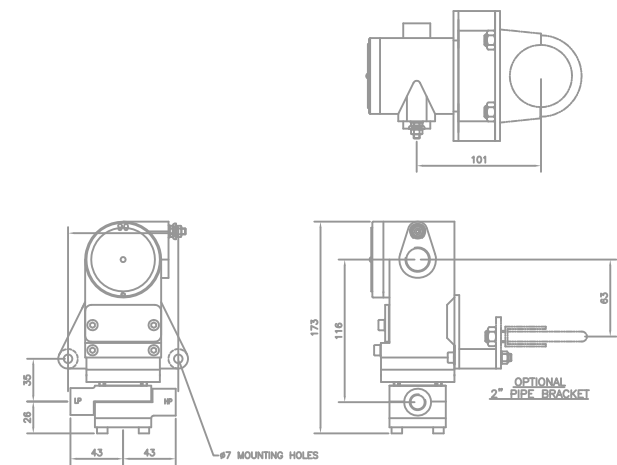


ATEX & IECEx CERTIFIED #3" & #4" LOW PRESSURE

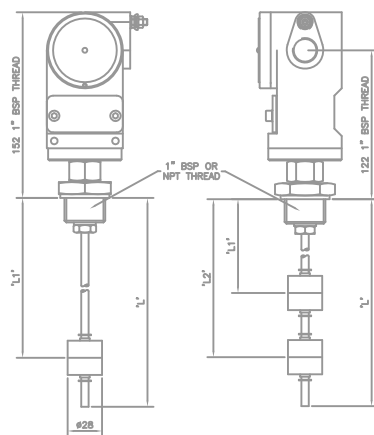


ATEX & IECEx CERTIFIED FLOW

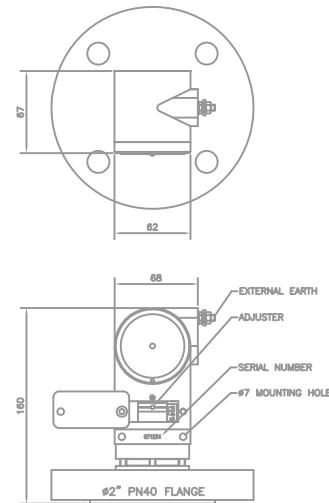
FLANGE DIMENSIONS AND DRILLINGS	GUMMETAL												NON METALLIC				
	15	20	25	32	40	50	65	80	100	125	150	200	250	15	25	40	50
A	108	108	108	117	117	133	133	152	159	191	191	219	254	160	160	133	133
B	57	57	57	67	70	83	83	102	108	140	140	168	203	62	62	86	86
C	65	75	85	100	110	125	145	160	180	210	240	295	355	CUSTOMER REQUEST			
D	24	24	24	24	24	24	24	24	24	24	24	24	24	38	38	38	36
FLANGE HOLES	4 x 14	4 x 14	4 x 14	4 x 14	4 x 18	4 x 18	4 x 18	4 x 18	8 x 18	8 x 18	8 x 18	8 x 22	12 x 26	CUSTOMER REQUEST			



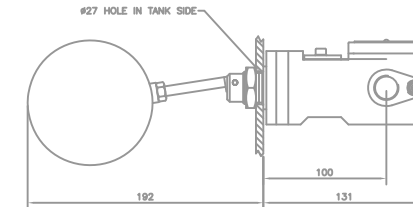
ATEX & IECEx CERTIFIED #1" DIFFERENTIAL PRESSURE



ATEX & IECEx CERTIFIED VERTICAL REED LEVEL



ATEX & IECEx CERTIFIED FLUSH MOUNTED DIAPHRAGM



ATEX & IECEx CERTIFIED HORIZONTAL LEVEL WITH BALL FLOAT

TERMINAL CONNECTIONS

HORIZONTAL LEVEL SWITCH

LOAD INDUCTIVE LOAD
5 AMP 250V AC 2 AMP 250V AC
5 AMP 30V DC 3 AMP 30V DC

WITH SWITCH MOUNTED IN POSITION SHOWN :-

- 1 & 2 CLOSE ON LOW LEVEL
- 1 & 3 CLOSE ON HIGH LEVEL
- 4 & 5 CLOSE ON LOW LEVEL
- 4 & 6 CLOSE ON HIGH LEVEL

TERMINAL CONNECTIONS

VERTICAL LEVEL SWITCH

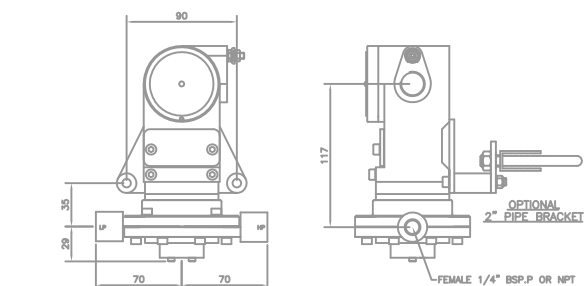
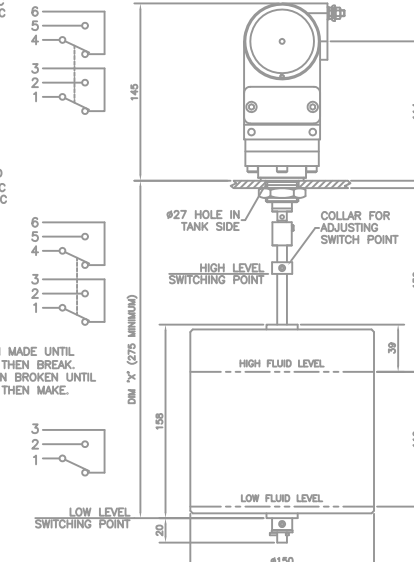
LOAD INDUCTIVE LOAD
5 AMP 250V AC 2 AMP 250V AC
5 AMP 30V DC 3 AMP 30V DC

TYPE A

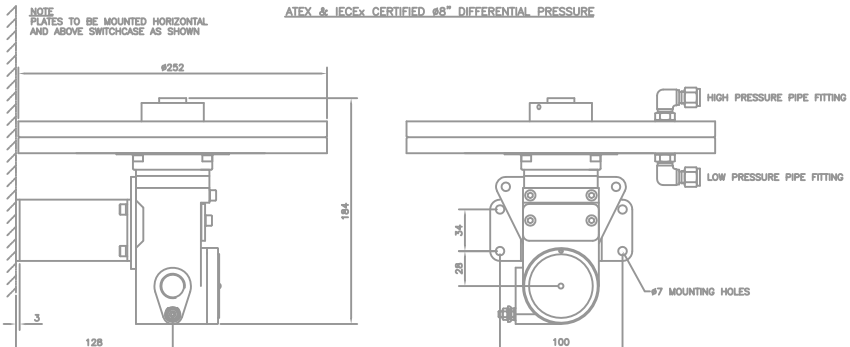
- HIGH OR LOW LEVEL ALARM
- 1 & 2 and 4 & 5 MAKE ON HIGH LEVEL
- BREAK ON HIGH LEVEL
- 1 & 3 and 4 & 6 BREAK ON HIGH LEVEL
- BREAK ON HIGH LEVEL
- 1 & 2 BREAK ON LOW LEVEL, REMAIN BROKEN UNTIL FLOAT REACHES HIGH LEVEL, THEN MAKE.

TYPE B

- PUMP CONTROL
- 1 & 3 MAKE ON LOW LEVEL, REMAIN MADE UNTIL FLOAT REACHES HIGH LEVEL, THEN BREAK.
- 1 & 2 BREAK ON LOW LEVEL, REMAIN BROKEN UNTIL FLOAT REACHES HIGH LEVEL, THEN MAKE.



ATEX & IECEx CERTIFIED #2" & #3" DIFFERENTIAL PRESSURE



ATEX & IECEx CERTIFIED #6" DIFFERENTIAL PRESSURE