



MX2515, MX2516, MX2517 & MX2518 HIGH TEMPERATURE EXPLOSION RELIEF VALVE

Proven in service for long life and efficiency

Integral safety deflection cover

1.25 PSI opening pressure standard, others available

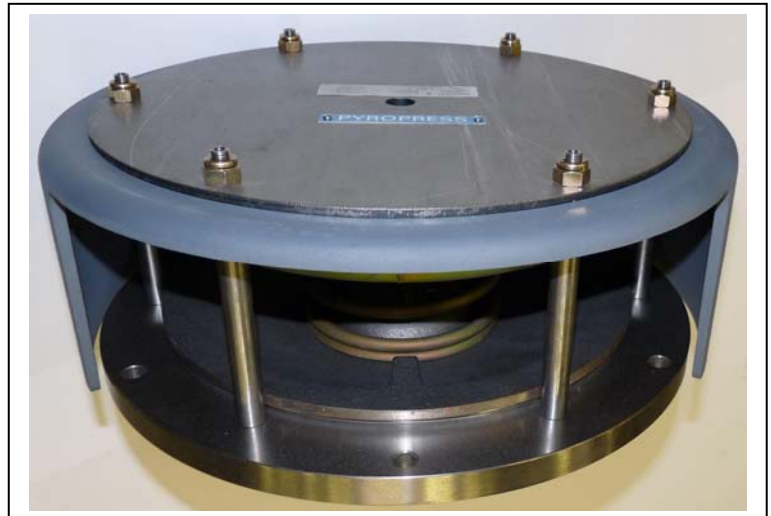
Effective relief area - 490 cm²

Robust construction - Fast acting

Integral indicator option

Option of high temperature switch

Inconel spring



INTRODUCTION

To avoid a dangerous pressure rise and resultant damage in the event of an explosion occurring in exhausts and silencers it is necessary to provide pressure relief valves of an ample area.

This valve is suitable for high temperature applications and has been developed from our crank-case explosion relief valves which have been manufacturer for over 50 years. The design incorporates a quick acting, spring loaded, stemless relief valve, which ensures frictionless valves operation and eliminates any possible danger of sticking. These valves have a long established track record in service and are constructed to withstand exhaust gas temperatures of 540°C

PART NUMBER BREAKDOWN

MX2517 / 1.25

MX2515 WITH MICROSWITCH AND INDICATOR, AUTO RESET
MX2516 WITH MICROSWITCH AND INDICATOR, MANUAL RESET
MX2517 VALVE WITH INDICATOR, MANUAL RESET
MX2518 VALVE WITHOUT INDICATOR

OPENING PRESSURE
1.25 PSI - Standard
2.0 PSI – special
3.0 PSI – special

IT MUST BE EMPHASIZED THAT THE DEGREE OF PROTECTION PROVIDED BY SUCH VALVES IN EXHAUST AND SILENCER APPLICATIONS OF A GIVEN VOLUME DEPEND ON THE NUMBER AND SIZE OF VALVES FITTED AND THEIR RELATIVE LOCATION. TO OBTAIN THE OPTIMUM PROTECTION FOR YOUR SYSTEM PLEASE PROVIDE A DRAWING OR SKETCH TO OUR SALES ENGINEERS. WE WILL ENSURE THAT THE REQUIRED EFFECTIVE RELIEF AREA FOR THE VOLUME OF YOUR SYSTEM IS CORRECTLY CALCULATED.

Pyropress Ltd

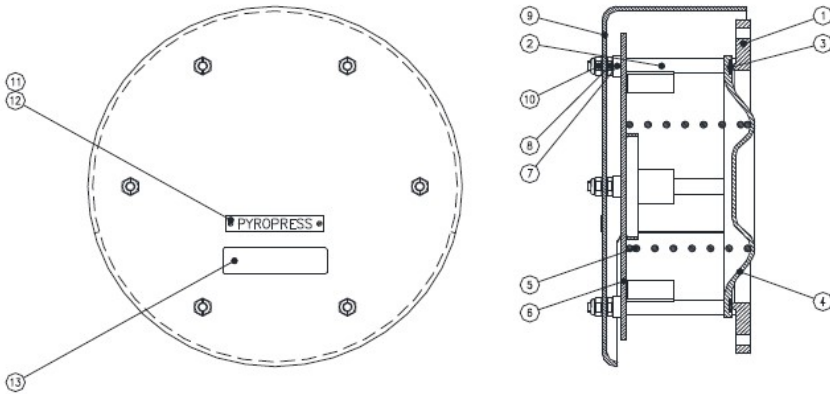
Bell Close, Newnham Industrial Estate, Plympton, Plymouth. PL7 4JH England

Tel : +44 (0)1752 333933

E-mail : sales@pyropress.com Website : www.pyropress.com

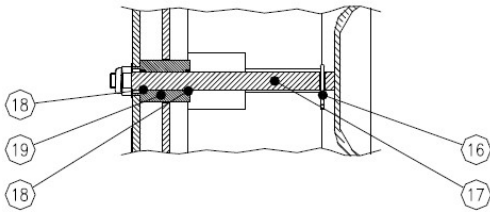
DRAWING

MX2518 STANDARD VALVE



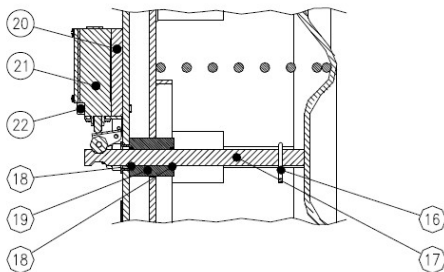
13	LABEL	1
12	PAN HEAD SCREW	2
11	LABEL	1
10	LOCKNUT	6
9	VALVE COVER	1
8	HALF NUT	6
7	BOSS	6
6	SPRING RETAINING PLATE	1
5	SPRING	1
4	VALVE DISC	1
3	SEALING RING	1
2	VALVE GUIDE	6
1	VALVE SEAT	1
REF	DESCRIPTION	QTY

MX2517 VALVE WITH MANUAL RESET INDICATOR



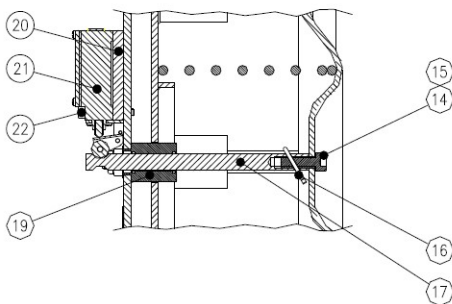
19	GUIDE BUSH	1
18	O-RING	2
17	INDICATOR	1
16	SPLIT PIN	1
REF	DESCRIPTION	QTY

MX2516 VALVE WITH MANUAL RESET INDICATOR AND SWITCH



22	SOCKET HEAD CAP SCREW	2
21	SWITCH	1
20	SWITCH MOUNTING PLATE	1
19	GUIDE BUSH	1
18	O-RING	2
17	INDICATOR	1
16	SPLIT PIN	1
REF	DESCRIPTION	QTY

MX2515 VALVE WITH AUTO RESET INDICATOR AND SWITCH



22	SOCKET HEAD CAP SCREW	2
21	SWITCH	1
20	SWITCH MOUNTING PLATE	1
19	GUIDE BUSH	1
17	INDICATOR	1
16	SPLIT PIN	1
15	CORRUSEAL GASKET	1
14	SOCKET HEAD CAP SCREW	1
REF	DESCRIPTION	QTY

Pyropress Ltd
 Bell Close, Newnham Industrial Estate, Plympton, Plymouth. PL7 4JH England
 Tel : +44 (0)1752 339866
 E-mail : sales@pyropress.com Website : www.pyropress.com